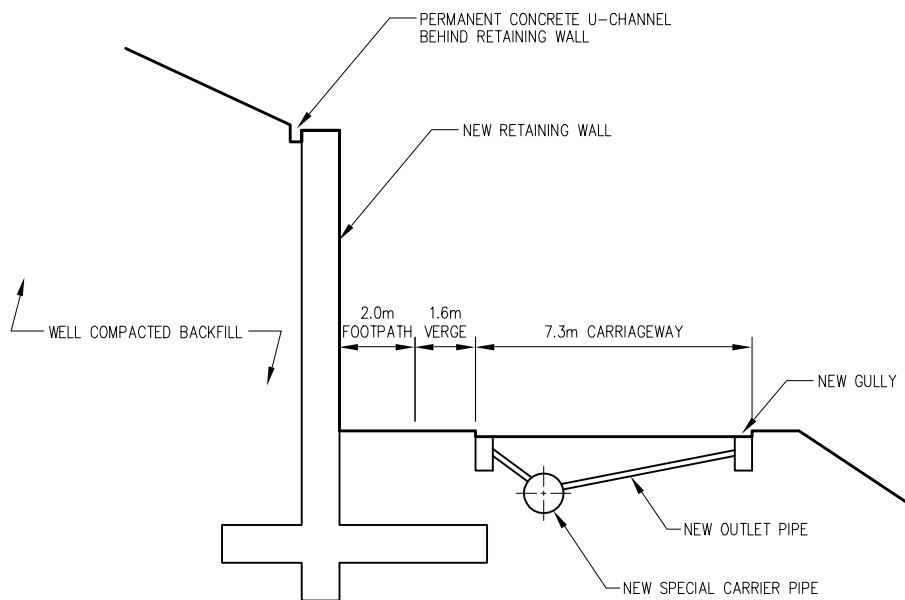


STAGE 6

CONSTRUCTION OF PERMANENT SPECIAL CARRIER PIPE



STAGE 7

CONSTRUCTION OF WIDENED CARRIAGEWAY (INCLUDING GULLIES AND OUTLET PIPES), FOOTWAY AND VERGE